

Everlast FRP moulded grating combines high chemical & corrosion resistance along with high durability and long life. These gratings have established a reputation for reliable performance even in the most demanding operating environments where traditional wood, concrete or metallic products deteriorate rapidly.

Everlast FRP moulded Gratings are available in three resin variants namely Isothalic, Vinyl & Orthophthalic and four product variants namely Plain surface, Grit surface, Check plate cover and Grit cover.

EVERLAST Grating Advantages

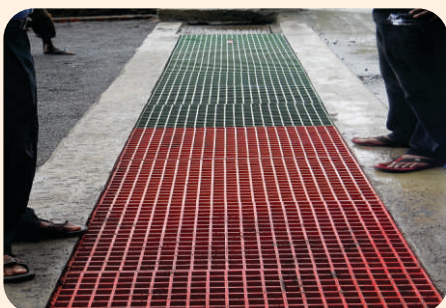
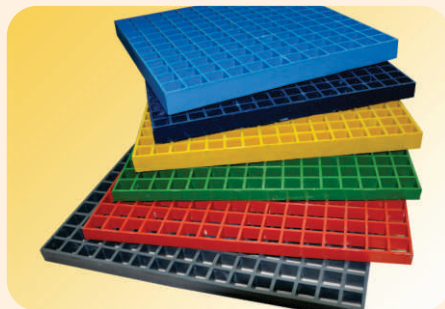
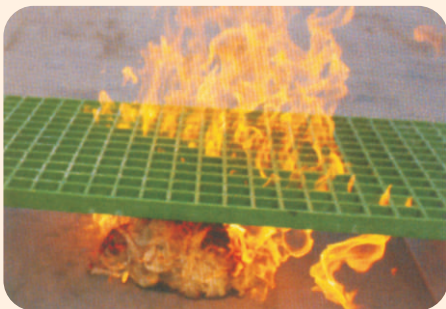
**EVERLAST
Anti-ageing
Gratings**

- Anti-corrosion and Anti-ageing
- Long product life & maintenance free
- Slip resistant
- Light weight & easy to handle
- Non-conducting & chemical resistant
- Fire retardant

Applications of Moulded Gratings

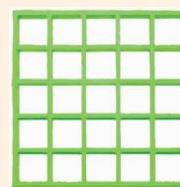
- Chemical & Petrochemical plants
- Oil & Gas, Offshore rig & power plants
- Architecture & Construction industry
- Water treatment plants & water pools
- Food and beverage plants
- Operating platforms & trench covers
- Walkways, footbridges & staircases
- Ramp, scaffold, railway footpaths and many more....

National & International Award Winner

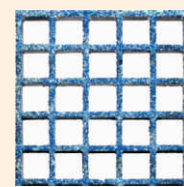


Type of Gratings

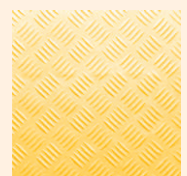
- Plain surface: Anti-skid plain surface
- Grit surface: Extra Anti-skid silica gritted surface
- Check plate cover: Covered check plate design for walkways, ramps etc...



Plain surface



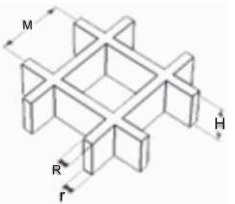
Grit surface



Check plate cover

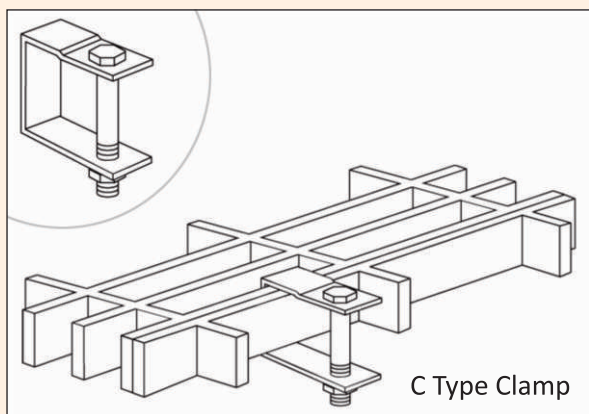
Moulded Grating Dimensions.

info@everlastcomposites.com

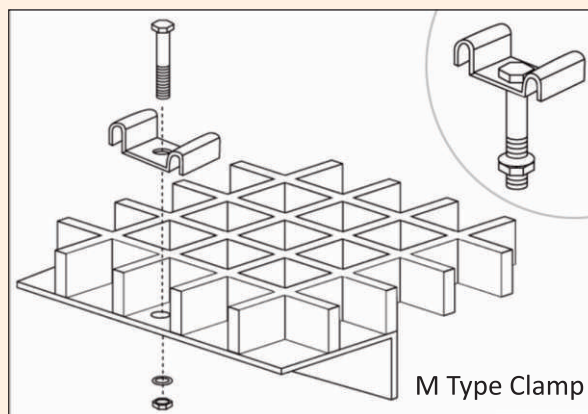
DRAWING	THICKNESS (H) mm	MESH SIZE (M)	RIB THICKNESS (r-R) (min-max) mm	OPEN AREA (%)	WT PER SQ. MTR. kg/Sqm	SHEET SIZE (mm x mm)
	25	38 x 38	5 - 7	68	11.9	1220 x 4006
	30		5 - 7		14.1	
	38		5 - 7		19	
	50	50 x 50	5 - 8	78	20.4	1220 x 4023

SS Fixing Clamps for FRP Gratings

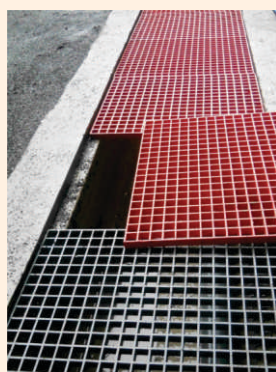
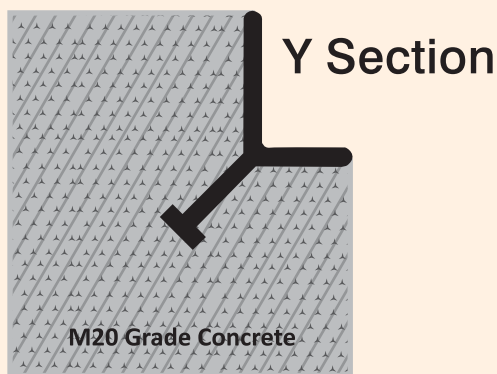
Fixing Clamps are required during installation of gratings. Two types of clamps are available based on location and type of joining required. * SS Clamps will have to purchased separately from other suppliers



This is used for the connecting sides of two panels of gratings to ensure the integrated function in one body.



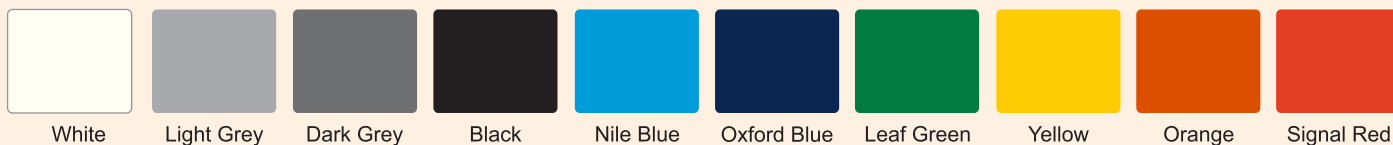
This is used for positioning and connection of grating and supporting materials



'Y' Section also made using FRP is used for fabricating the frame for moulded gratings. Alternately, this section can also be embedded in concrete (see diagram) for open drains. Frames made using 'Y' angle have a longer life span as compared to simple concrete, MS, SS and CI angles.

Installation Details for 'Y' Section

SHADE CARD*



* Actual colours may differ from visual presentation