



## PRESSURE REDUCING VALVES WITH PISTON PN 25 NICKEL-PLATED WITH COMPENSATION CHAMBER AND STAINLESS STEEL SEAT

CONNECTIONS:

FEMALE-FEMALE



### HYDRAULIC FEATURES

The PISTON-type pressure reducing valve PN 25 is an automatic valve that reduces and stabilizes the pressure of a fluid in a water distribution conduit according to a preset value. The use of this hydraulic device is necessary if the maximum possible pressure at any point in the water distribution system can reach or exceed the relative maximum allowable working pressure, or if the installation is equipped with devices that can be operated exclusively at pressure levels lower than the one available in the system. The piston-type pressure reducing valve is designed for use in either internal or external water distribution systems, where the water main pressure values do not surpass 25 bar. The thermoplastic material of the internal piston structure guarantees rigidity, strength and an enhanced regulation precision thanks to the compensated seat. The O-rings, in antistick-slip Perox EPDM elastomer with a low coefficient of friction, are durable and require only limited maintenance interventions. The internal finish of the body and the broader dimensions of the passage allow high performances even with a minimal water draw. The piston-type pressure reducing valve (PN 25) is used in air conditioning plants, sanitary installations for water supply, irrigation systems, compressed air (not oil mist) distribution systems, fire suppression piping (it should be borne in mind that local government standards for fire protection must always be observed), and sanitary installations for water supply in buildings (according to EN 806-2 and EN 805). This product adheres to the standards set forth by the European health authorities for the transport of alimentary fluids and potable water.

**ATTENTION: THE PRESSURE GAUGE CONNECTABLE TO THE PRESSURE REDUCING VALVE INDICATES THE ALREADY-REDUCED PRESSURE (Ps) OF THE OUTLET LIQUID FLOW.**

### TECHNICAL FEATURES

#### Pressure:

Maximum allowable working pressure (PN)	25 bar
Outlet settings (Ps)	from 1 to 5.5 bar
Ps value set during testing	3 bar
Outlet Ps set tolerance on varying inlet pressure	± 10 %

#### Temperature:

working temperature (TS)	0°C (excluding ice) 130°C
--------------------------	---------------------------

#### Compatible fluids:

water	
glycolate solutions	glycol 50%
compressed air	no oil mist

#### Threading:

Pipeline connection: Threads according to	ISO 228/1
Gauge connection: Threads according to	EN 10226- Rp1/4" (ex ISO 7/1)

#### Tests:

Kitemark license n° KM 618292 in compliance with the limits defined by EN 15671

### DESIGN

Brass body EN 12165 - CW617N in 1/2" to 2" sizes  
Die cast brass body EN1982-CT753S in 2"1/2 to 4" sizes  
Brass bonnets EN 12165 - CW617N  
Piston in PA66-GF30 POLYAMIDE reinforced with glass fiber in 1/2" to 2"1/2 light model  
Brass Piston EN 12165 - CW617N in 3" to 4" sizes  
Other forged components in brass EN 12165 - CW617N  
Other components in turned brass EN 12164 - CW614N  
Static O-ring washers and seat gaskets in EPDM RUBBER (peroxide-cured)  
Dynamic O-ring washers in EPDM RUBBER (peroxide-cured)  
O-rings and static sealing gaskets in EPDM perox, NBR, fiber free of asbestos  
SM GALVANIZED STEEL calibration spring - EN 10270-1  
Nickel plating ELECTRODEPOSITED COATING EN 12540 (Cu/Ni5s)  
STAINLESS STEEL insert seat EN 10088-1.4305 (AISI 303)

### PRODUCT CODES

0233.115	f/f nickel plated	1/2"	0233.150	f/f nickel plated	2"
0233.120	f/f nickel plated	3/4"	0233.166	f/f nickel plated	2"1/2
0233.125	f/f nickel plated	1"	0233.178	f/f nickel plated light model	3"
0233.133	f/f nickel plated	1"1/4	0233.179	f/f nickel plated	3"
0233.140	f/f nickel plated light model	1"1/2	0233.180	f/f yellow	3"
0233.142	f/f nickel plated	1"1/2	0233.199	f/f nickel plated	4"
0233.148	f/f nickel plated light model	2"	0233.200	f/f yellow	4"

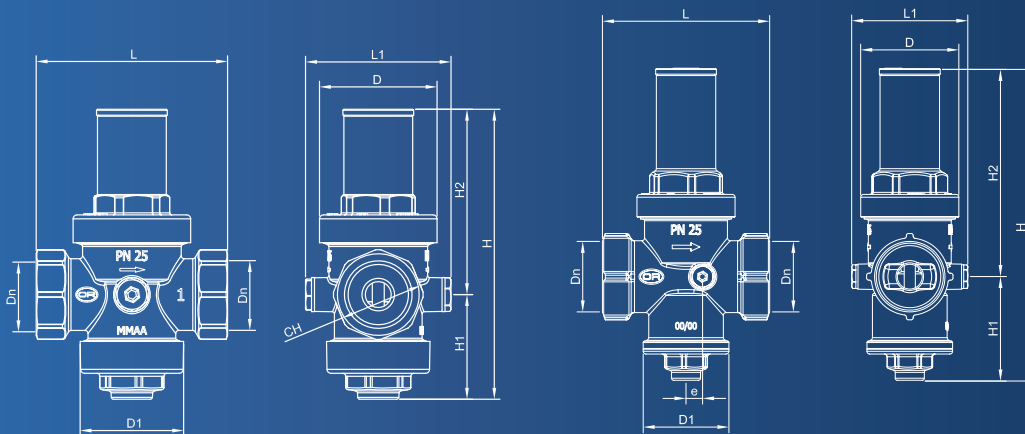
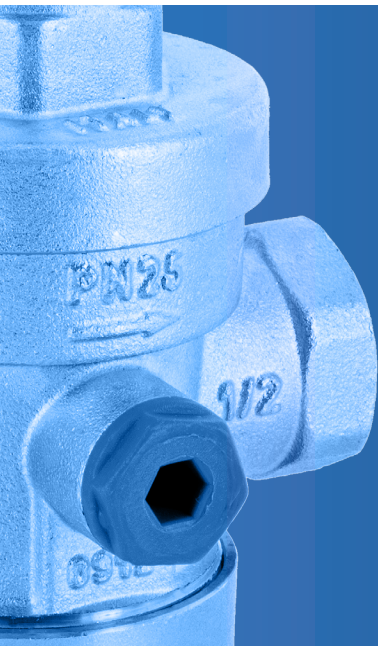


OFFICINE RIGAMONTI S.p.A.  
via Circonvallazione, 9  
13018 Valduggia (VC), ITALY  
TEL. +39 0163.48165  
FAX +39 0163.47254  
www.officinerigamonti.it  
export@officinerigamonti.it

# 0233.1 • 1/2" - 4"

PRESSURE REDUCING VALVES WITH PISTON PN 25 NICKEL-PLATED  
WITH COMPENSATION CHAMBER AND STAINLESS STEEL SEAT

CONNECTIONS: FEMALE-FEMALE



1/2" - 1 1/4"

1 1/2" - 4"

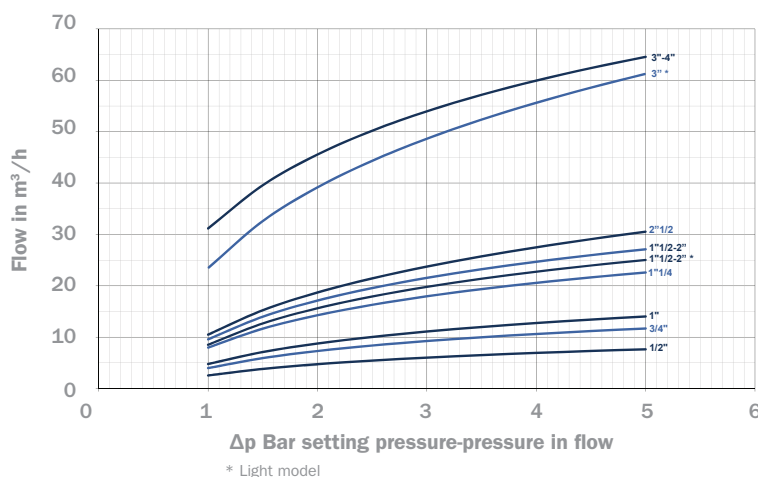
## FEATURES

Dn	D	D1	L	L1	H	H1	H2	e	Key
1/2"	Ø48	Ø44	69	63	114	42	72	\	Hex. 26
3/4"	Ø48	Ø44	82	63	114	42	72	\	Hex. 31
1"	Ø59	Ø52	96	73	145,5	52,5	93	\	Oct. 42.5
1 1/4"	Ø59	Ø52	100	73	151,5	56,5	95	\	Oct. 52.5
* 1 1/2"	Ø59	Ø48	91	77	148	48	100	8	Oct. 56
1 1/2"	Ø71	Ø62	121	84	218	67,5	150,5	12	Oct. 59
* 2"	Ø59	Ø48	97	81	150	48	102	8	Oct. 68
2"	Ø71	Ø62	121	84	218	67,5	150,5	12	Oct. 70.5
2 1/2"	Ø71	Ø62	131	94	230	75,5	154,5	\	\
* 3"	Ø71	Ø62	133	84	218	65,5	152,5	\	\
3"	Ø110	Ø85	197	127	312	91.5	220,5	\	\
4"	Ø110	Ø85	197	127	312	91.5	220,5	\	\



\* LIGHT MODEL

PRESSURE REDUCING VALVE ART.0233 1/2" - 4"



All informations included in this catalogue, technical features, drawings and descriptions, are not binding and might be subject to variation at any time, without any forwarning. Any reproduction, even partially, is forbidden and legally pursuable.

