

Wafer Type Swing Check Valve

Design Feature:

- Single Plate Construction
- Wafer Type Short Pattern
- Investment Cast Integral Disc Shaft Construction

Conformity to Standards & Codes :

Design & Face to Face Dimensions :
API 6D / ASME B 16.10

Valve Testing : API 598

Flange Standard Conformity :

ASME B 16.5 CL150, DIN PN10 & PN16,
BS 10 Table D&E

Size Range :

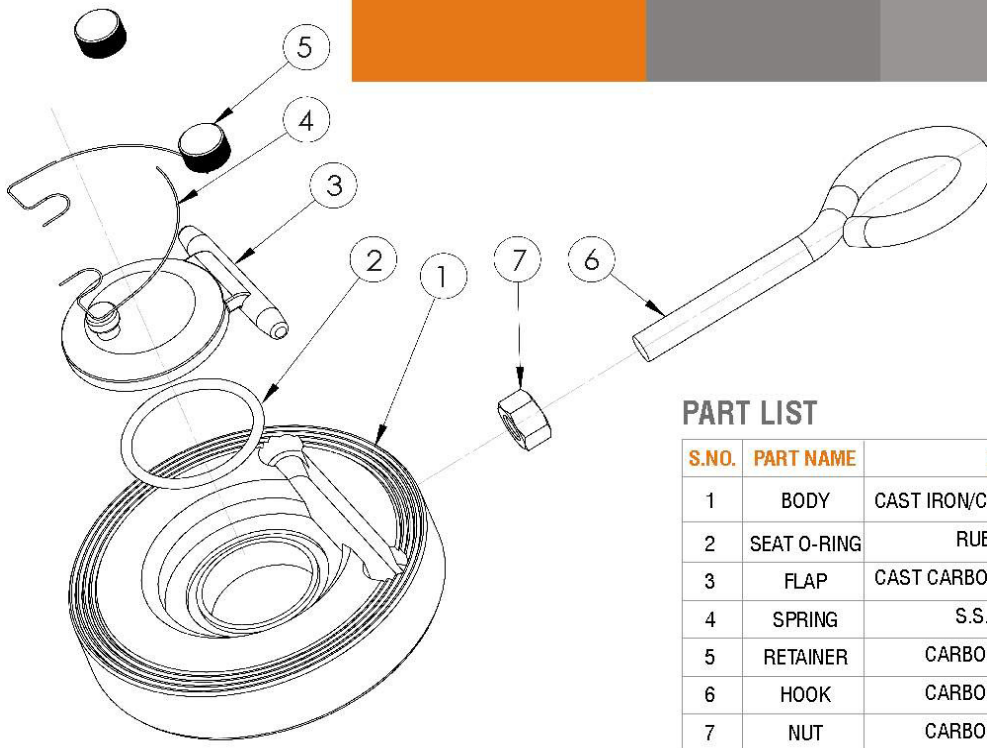
25mm (1") to 600mm (24")

Applications:

- Water / Sewage
- Chemical & Solvent Industries
- Petrochemical Industries
- Pump Discharge Duties

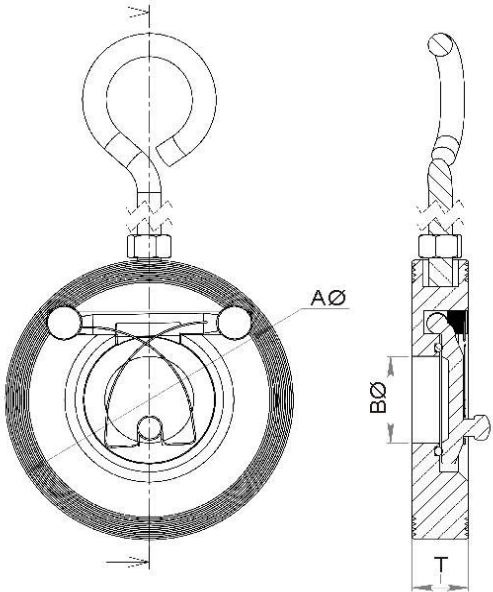
VA-17





PART LIST

S.NO.	PART NAME	MATERIAL	SPECIFICATIONS	QTY.
1	BODY	CAST IRON/CARBON STEEL	GG25/ASTM A216, WCB	1
2	SEAT O-RING	RUBBER	NITRILE/EPDM/VITON/NEOPRENE	1
3	FLAP	CAST CARBON STEEL (I.C.)	ASTM A216, GR. WCB	1
4	SPRING	S.S. 316	ASTMA351, CF8M	2
5	RETAINER	CARBON STEEL	ASTMA193, GR. B7	2
6	HOOK	CARBON STEEL	ASTMA193, GR. B7	1
7	NUT	CARBON STEEL	ASTMA193, GR. B7	1



DIMENSIONS

S.NO.	SIZE	AØ	BØ	T
1.	40	86	22	19
2.	50	97	30	19
3.	65	110	40	19
4.	80	129	52	19
5.	100	161	71	19
6.	125	193	93	19
7.	150	215	114	19
8.	20	272	157	28.50
9.	250	329	195	28.50
10.	300	380	230	38

*All dimensions are in mm unless and otherwise specified.

Test Pressure:

Seat Test Pressure :	1 Bar (Low Pressure) 17.60 Bar (High Pressure)
Body Test Pressure:	24 Bar (Hyd.)

GUARANTEE

All valves are guaranteed against any manufacturing defects for a period of 12 months from date of supply, provided the valves have not been misused, damaged or installed for services they are not recommended. The company shall be liable to furnish part/ parts thereof or full valve as the company may deem fit.

V.A. VALVES

Regd. Office & Works: Udyog Nagar, Gadaipur, Jalandhar City -144 004
 Phone Office: +91-181-2601540, 2601541 Fax Office : +91-181-2601741
 E-mail : marketing@vk-utam.com, vavalves@vk-utam.com

Website : www.vk-utam.com, www.indianvalves.in

Due to continuous development program, design and data in this leaflet are subject to change without prior notice.

Authorized Stockist